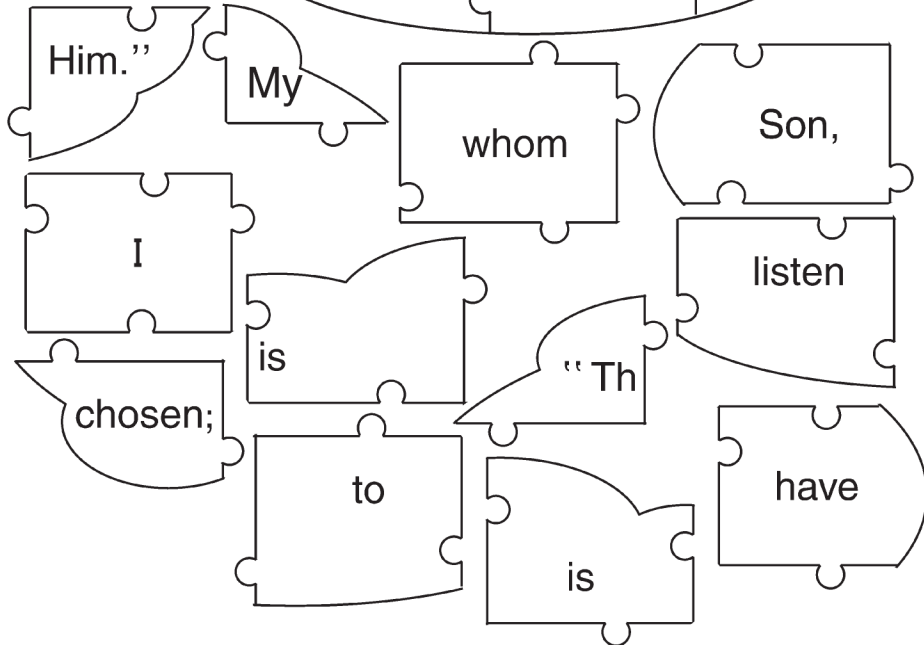
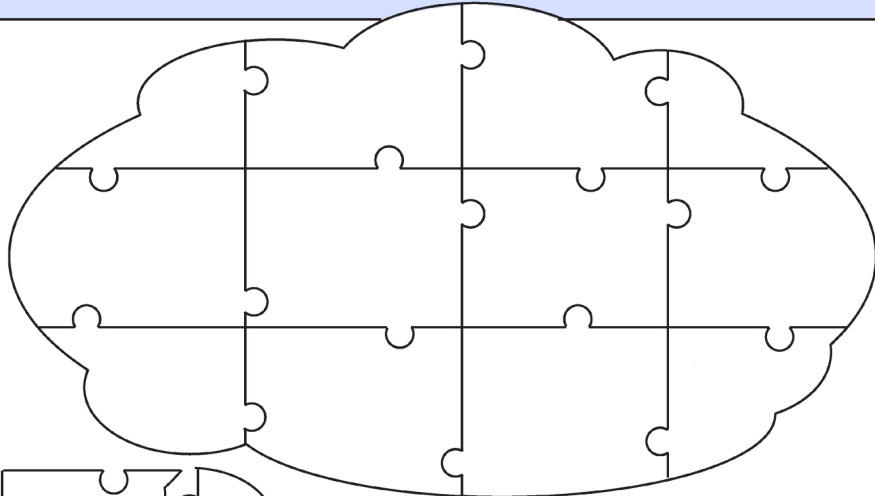


While He was speaking, a cloud appeared and covered them ...
A voice came from the cloud.

Fit the pieces in the puzzle to find out what the voice said.



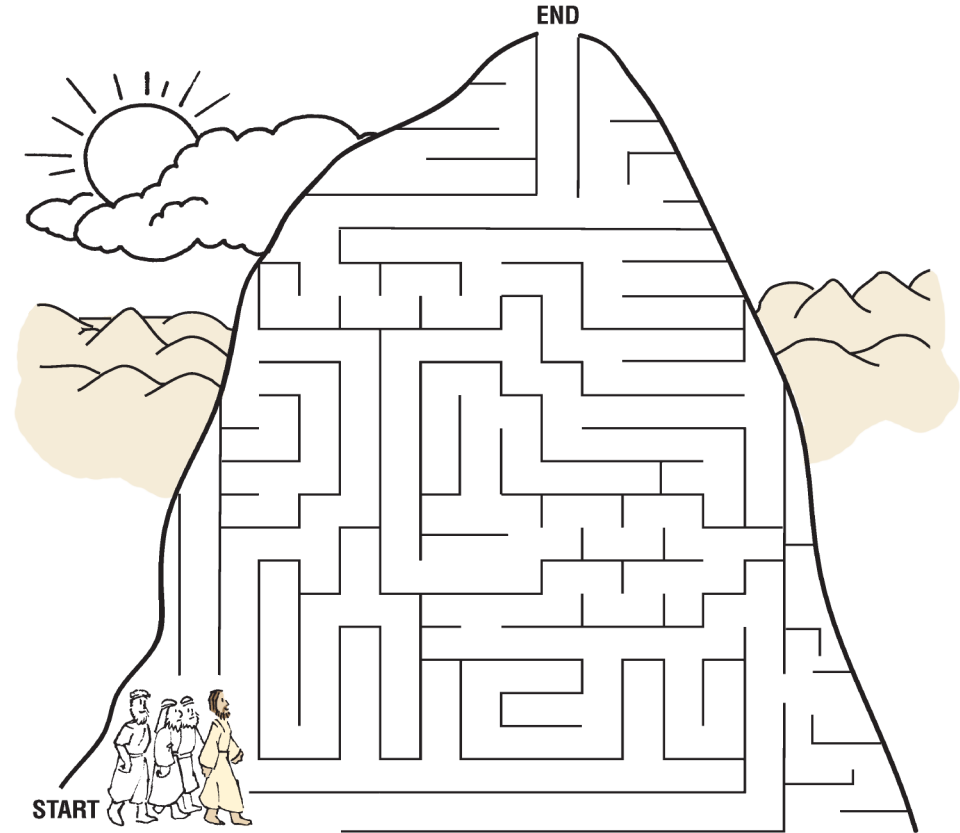
Ages 7+

March 2, 2025 • Luke 9:28-36

Jesus Is Transfigured

Jesus took Peter, James and John with Him and went up onto a mountain to pray.

Find the route to the top of the mountain.



Enter your **SECRET CODE** to unlock games @ games.childrensbulletins.com

SECRET CODE!
MAMR37

As Jesus was praying, something happened.

Use the code to find out what it was.

| | | | | | | |
|-------|-------|-------|-------|-------|-------|-------|
| ♡ = A | ♡ = E | ★ = I | ☆ = M | ⊖ = Q | □ = U | ▣ = Y |
| ♥ = B | ♡ = F | ☆ = J | ★ = N | ◐ = R | ■ = V | ◑ = Z |
| ♡ = C | ♡ = G | ★ = K | ○ = O | ◑ = S | ▤ = W | |
| ♡ = D | ☆ = H | ★ = L | ● = P | ⊙ = T | ▥ = X | |



Code puzzle grid:

Row 1: ♡ ● ● ♡ ♡ ◐ ♡ ☆ ♡ ♡

Row 2: ○ ♡ ☆ ★ ◐ ♡ ♡ ♡

Row 3: ♡ ☆ ♡ ★ ♡ ♡ ♡ ♡ ☆ ♡

Row 4: ☆ ★ ◐ ♡ ☆ ○ ⊙ ☆ ♡ ◐

Row 5: ♥ ♡ ♡ ♡ ☆ ♡ ♡ ♡

Row 6: ♥ ◐ ★ ♡ ☆ ⊙ ♡ ♡

Row 7: ♡ ♡ ☆ ♡ ◐ ☆ ○ ♡

Row 8: ☆ ★ ♡ ☆ ⊙ ☆ ★ ☆ ♡

What else happened?

Connect the dots. Write the words in order on the lines below.

